



### Features

- Integral flange.
- Center drain.
- Removable drain cover.
- One-piece construction.
- Coordinates with other products in the Archer collection.
- Coordinates with Choreograph™ walls.

### Material

- Acrylic

### Installation

- Alcove



### Recommended Accessories

- K-9132 Shower Drain
- K-702011-L Frameless Pivot Shower Door
- K-702408-G54 Frameless Pivot Shower Door
- K-702408-L Frameless Pivot Shower Door
- K-705701-L Frameless Pivot Shower Door
- K-705709-L Frameless Pivot Shower Door
- K-705713-L Frameless Pivot Shower Door
- K-705721-L Frameless Pivot Shower Door
- K-705727-L Frameless Pivot Shower Door
- K-705739-L Frameless Pivot Shower Door
- K-705806-L Semi-Frameless Pivot Shower Door
- K-705807-L Semi-Frameless Pivot Shower Door
- K-705820-L Semi-Frameless Pivot Shower Door
- K-705821-L Semi-Frameless Pivot Shower Door

### Codes/Standards

- ASME A112.19.1/CSA B45.2
- CSA B45.5/IAPMO Z124
- ASTM E162
- ASTM E662
- Greenguard UL 2818 - Gold

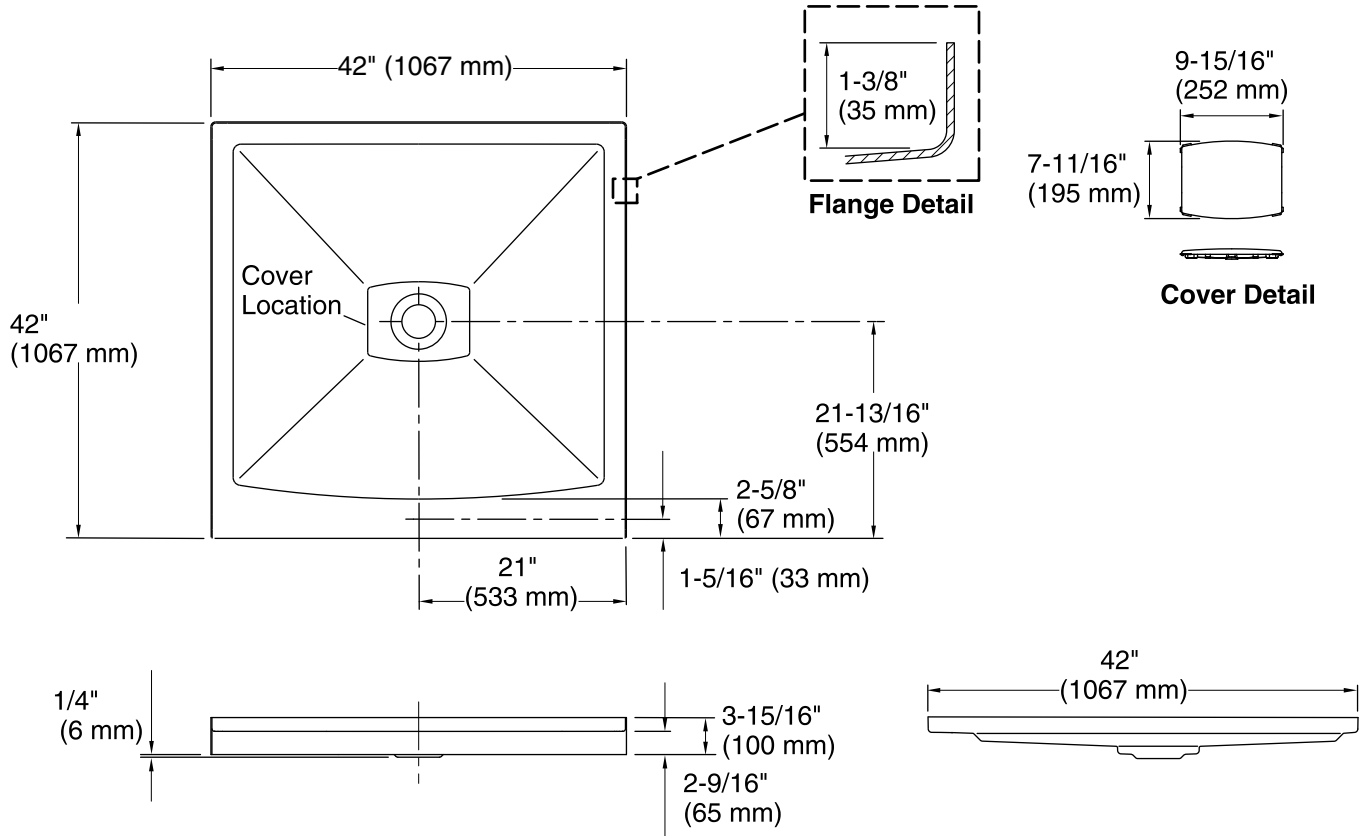
### KOHLER® Plastic Baths and Receptors Lifetime Limited Warranty

See website for detailed warranty information.

### Available Color/Finishes

*Color tiles intended for reference only.*

Color	Code	Description
	0	White
	96	Biscuit
	47	Almond
	NY	Dune
	95	Ice™ Grey
	G9	Sandbar
	33	Mexican Sand™
	K4	Cashmere
	58	Thunder™ Grey
	7	Black Black™



## Technical Information

All product dimensions are nominal.

Installation:	3-Wall Alcove
Drain location:	Center
Weight:	44 lbs (20 kg)
Minimum floor load:	20 lbs/ft <sup>2</sup> (97.6 kg/m <sup>2</sup> )

## Notes

- Measure your actual product for rough-in details.
- Install this product according to the installation instructions.
- Shimming may be required to level the fixture.
- Shimming may be required between the stud frame and the fixture.
- Stud opening tolerance is + 1/4" (6 mm), - 0" (0 mm).