

Features

- 21-inch minimum base cabinet width.
- 18-gauge stainless steel.
- Under-mount.
- Single compartment.
- 7-5/8" (194 mm) deep bowl.
- SilentShield® sound-absorption technology offers quieter performance.
- 16-1/4" (413 mm) x 20-1/2" (521 mm)
- Strainer not included.

Recommended Accessories

K-3132 Sink Rack
K-6377 Sponge Caddy
K-6378 Kitchen Brush Caddy
K-6379 Kitchen Squeegee
K-6382 Disinfecting Wipes Dispenser
K-6383 Soap Dispenser
K-8618 Paper Towel Holder
K-8619 Flexible Kitchen Mat
K-8801 Sink Strainer
K-8799 Sink Strainer
K-8624 Dish Scraper

Optional Accessories

K-8813 Manual Sink Strainer with Tailpiece
K-8814 Sink Strainer

Components

Product includes:
91915 Hardware Kit



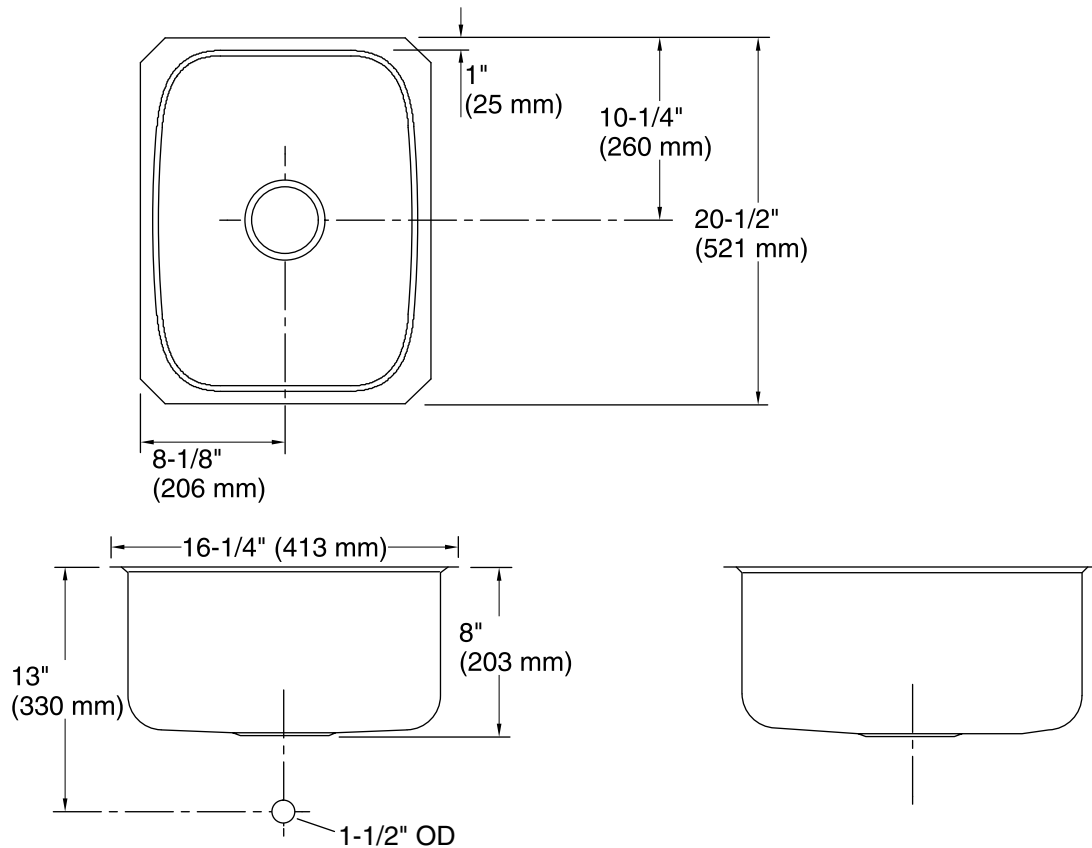
ADA

Codes/Standards

ASME A112.19.3/CSA B45.4
ADA
ICC/ANSI A117.1

Lifetime Limited Warranty for KOHLER® Stainless Steel Sinks

See website for detailed warranty information.



Technical Information

All product dimensions are nominal.

Bowl configuration:	Single
Installation:	Under-mount
Min. base cabinet width:	21" (533 mm)
Bowl area (Only):	Length: 14-1/4" (362 mm) Width: 18" (457 mm) Bowl depth: 7-5/8" (194 mm)
Drain hole:	3-5/8" (92 mm)
Template:	1016734-7, required, included

Notes

Install this product according to the installation instructions.

ADA compliant when installed to the specific requirements of these regulations.