



Undertone®

Under-mount Kitchen Sink

K-3164

Features

- 21-inch minimum base cabinet width.
- 18-gauge stainless steel.
- Under-mount.
- Single compartment.
- Rounded bowl.
- SilentShield® sound-absorption technology offers quieter performance.
- 15-1/2" (394 mm) x 19-5/8" (500 mm)
- Strainer not included.

Recommended Accessories

- K-6377 Sponge Caddy
- K-6378 Kitchen Brush Caddy
- K-6379 Kitchen Squeegee
- K-6382 Disinfecting Wipes Dispenser
- K-6383 Soap Dispenser
- K-8618 Paper Towel Holder
- K-8801 Sink Strainer
- K-8799 Sink Strainer
- K-8624 Dish Scraper

Optional Accessories

- K-3278 Cutting Board
- K-3291 Colander

Components

- Product includes:
- 91915 Hardware Kit



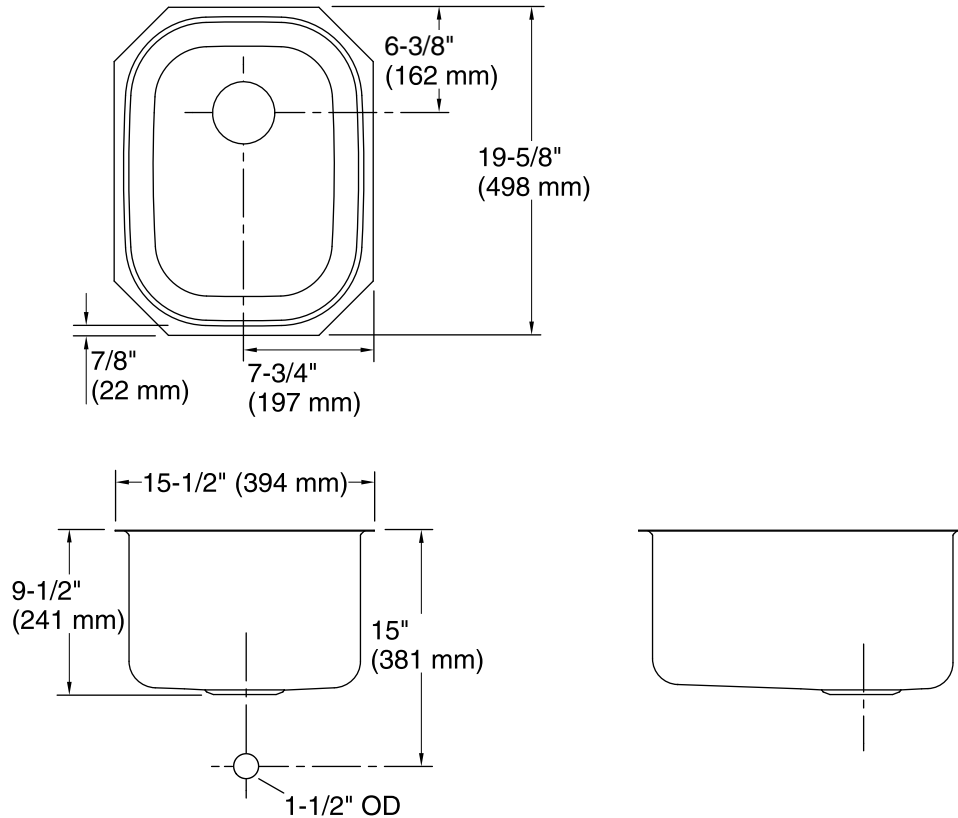
ADA

Codes/Standards

ASME A112.19.3/CSA B45.4
ADA
ICC/ANSI A117.1

Lifetime Limited Warranty for KOHLER® Stainless Steel Sinks

See website for detailed warranty information.



Technical Information

All product dimensions are nominal.

Bowl configuration:	Single
Installation:	Under-mount
Bowl area:	Length: 13-3/4" (349 mm) Width: 17-7/8" (454 mm) Bowl depth: 9-1/2" (241 mm)
Drain hole:	3-5/8" (92 mm)
Template:	113198, required, included

Notes

Install this product according to the installation instructions.

ADA compliant when installed to the specific requirements of these regulations.