

Features

- Machined aluminum double foot control.
- Self-closing 14" (356 mm) hinged pedal action.
- Double foot control mixing valve with integral stops.
- Outlet to wall with volume control.
- Elevated vacuum breaker.
- Hose with angle spray nozzle.
- Insulated handle and spray hook.

Material

- Brass construction.

Installation

- 3/8" NPT inside-threaded inlets.



Codes/Standards

ASME A112.18.1/CSA B125.1

KOHLER® Faucet Lifetime Limited Warranty

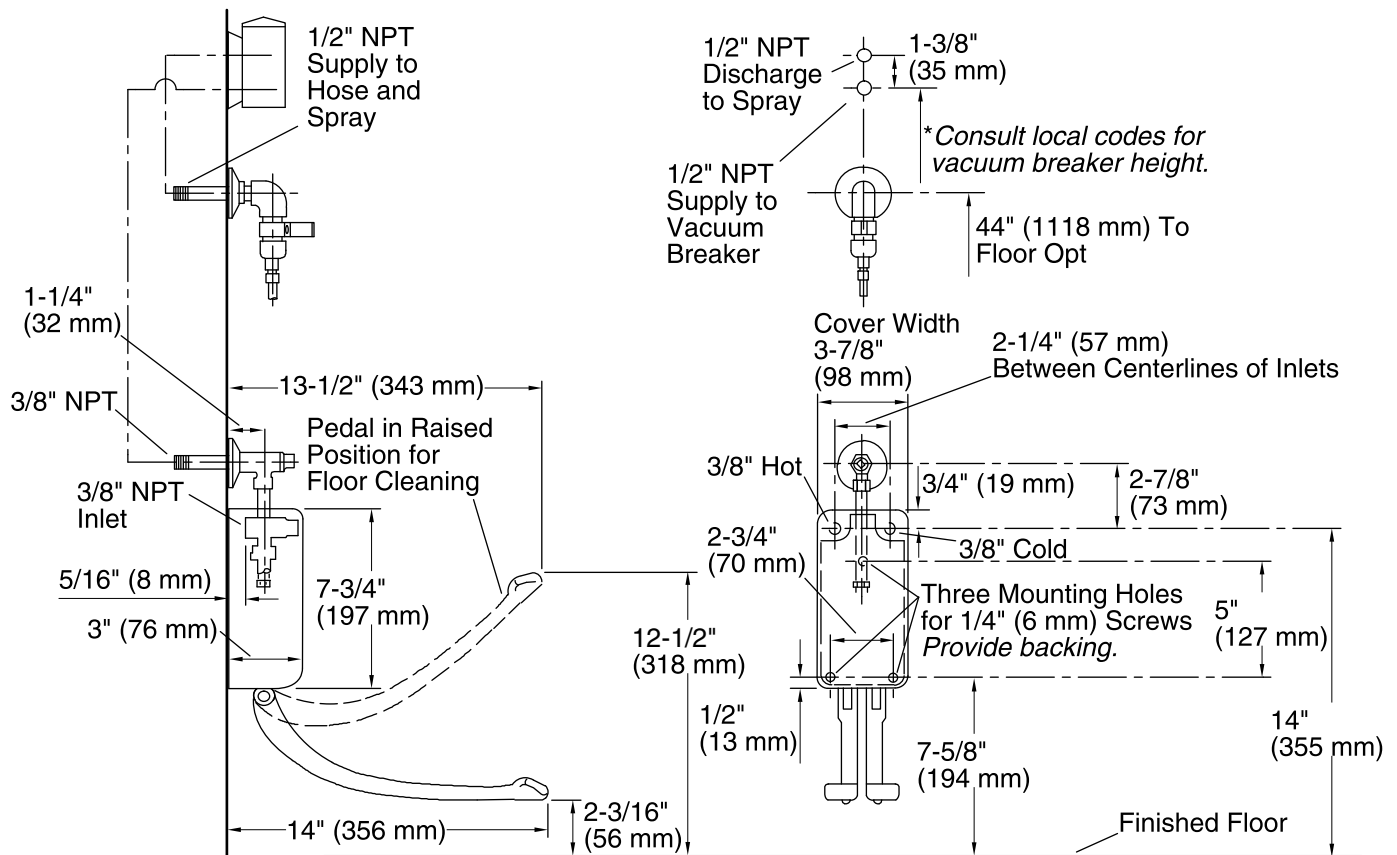
See website for detailed warranty information.

Available Color/Finishes

Color tiles intended for reference only.

Color	Code	Description
-------	------	-------------

	CP	Polished Chrome
--	----	-----------------



Technical Information

All product dimensions are nominal.

Notes

Install this product according to the installation guide.